



IEEE/UL Battery  
Sizing by  
**MooreU**  
610-952-6067  
www.mooreu.com



# LHR Series-High Rate

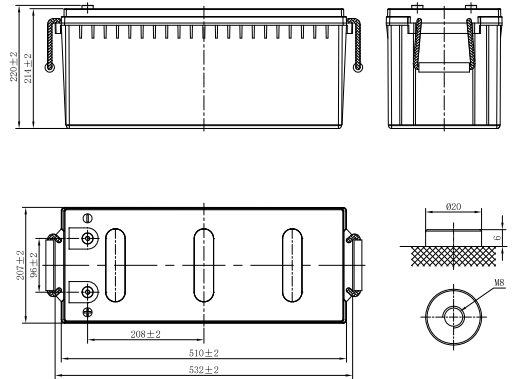
## LHR12605W(A)(12V605W)



### Specifications

Rated Voltage	12V		
Nominal Rate(W <sub>15</sub> , 1.67V/cell)	605W/cell		
Nominal Capacity(C <sub>10</sub> , 1.80V/cell)	160Ah		
Dimension	Length	532±2mm (20.9 inches)	
	Width	207±2mm (8.14 inches)	
	Container Height	214±2mm (8.42 inches)	
	Total Height	220±2mm (8.66 inches)	
Approx Weight	55.0kg (121.3 lbs)		
Terminal	M8		
Container Material	ABS: UL 94 HB or V-0 optional		
Rated Capacity(25°C)	160.0 Ah	C10(16.0A, 1.80V/cell)	
	148.8 Ah	C8(18.6A, 1.80V/cell)	
	141.0 Ah	C5(28.2A, 1.75V/cell)	
	124.8 Ah	C3(41.6A, 1.75V/cell)	
	101.8 Ah	C1(101.8A, 1.60V/cell)	
Max. Discharge Current	1600A (5s)		
Internal Resistance(25°C)	Approx 3.3mΩ		
Operating Temp. Range	Discharge	-20 ~ 55°C (-4 ~ 131°F)	
	Charge	-20 ~ 40°C (-4 ~ 104°F)	
	Storage	-15 ~ 50°C (5 ~ 122°F)	
Nominal Operating Temp. Range	25±3°C (77±5°F)		
Max.Charging Current(25°C)	40.0A		
Charge voltage(25°C)	Float	Charge voltage 2.25 ~ 2.30V/cell	Temp. Coefficient -3mV/cell/°C
	Equalization	2.30~2.40V/cell	-4mV/cell/°C
Effect of temp. to Capacity	40°C (104°F)	106%	
	25°C (77°F)	100%	
	0°C (32°F)	86%	
Self Discharge	≤3%/month @ 25°C		

### Layout



### Constant Current Discharge (Amperes) at 25 °C (77°F)

F.V/Time	5min	10min	15min	20min	30min	45min	1h	1.5h	2h	3h	4h	5h	8h	10h
1.85V/cell	361.9	288.9	250.5	197.0	136.5	108.7	88.1	64.7	52.9	39.4	31.1	26.3	18.2	15.6
1.80V/cell	411.6	328.0	283.9	222.7	153.9	115.4	91.0	66.6	56.0	40.7	32.3	27.4	18.6	16.0
1.75V/cell	447.5	356.1	307.7	240.7	165.7	122.3	94.8	69.4	58.1	41.6	33.4	28.2	18.8	16.1
1.70V/cell	477.9	379.2	326.4	255.0	175.5	129.2	98.9	72.2	59.5	42.5	34.2	28.8	19.1	16.2
1.67V/cell	494.6	391.2	335.9	261.9	179.7	132.1	100.0	74.2	60.9	43.4	34.6	29.2	19.3	16.4
1.60V/cell	512.1	404.6	346.4	268.6	184.1	135.6	101.8	76.6	62.1	44.5	35.4	29.8	19.4	16.5

### Constant Power Discharge (Watts/cell) at 25 °C (77°F)

F.V/Time	5min	10min	15min	20min	30min	45min	1h	1.5h	2h	3h	4h	5h	8h	10h
1.85V/cell	675.9	543.6	474.3	374.7	260.9	208.9	170.3	125.4	102.9	76.9	61.1	51.9	36.1	30.9
1.80V/cell	756.1	608.1	530.6	419.2	291.8	220.4	175.1	128.5	108.4	79.1	63.1	53.7	36.8	31.8
1.75V/cell	807.8	649.7	566.9	447.8	311.8	232.3	181.5	133.2	112.1	80.6	65.0	55.1	37.0	31.9
1.70V/cell	848.3	682.2	595.3	470.3	327.4	243.7	188.4	138.0	114.3	82.1	66.3	56.2	37.6	32.1
1.67V/cell	862.1	693.3	605.0	478.0	332.8	247.7	189.4	141.0	116.5	83.5	66.9	56.7	37.9	32.5
1.60V/cell	874.2	703.0	613.5	484.6	337.4	251.8	191.5	144.7	118.1	85.2	68.2	57.6	38.0	32.6



# LHR Series-High Rate LHR12605W(A)(12V605W)

## Applications

- UPS
- Hospitals & Testing Laboratories
- Emergency Power Supply
- Banks & Financial Markets
- Industrial Process Control Facilities
- Data & Network Operation Centers

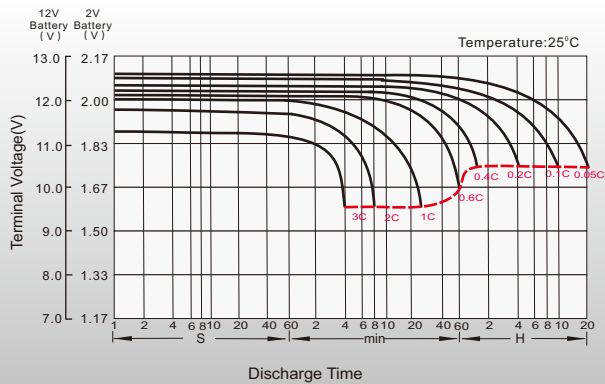
## General Features

- High quality AGM separator: extend cycle life and prevent micro short circuit
- PbCaSn alloy for plate grids: less gassing, less self-discharging
- Unique vent valve design: reduce water losing and prevent air/spark going inside

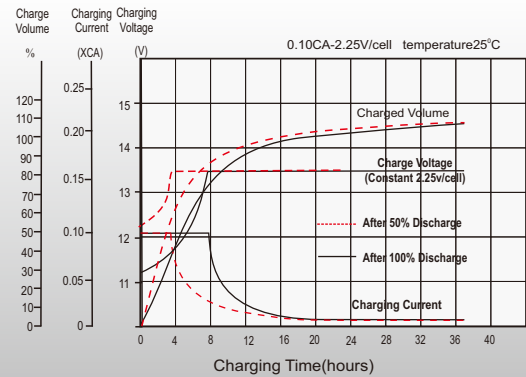
## Standards

- Compliance with IEC 60896 and YD/T 3427 standards
- Manufactured in Leoch@IATF16949, ISO 45001, ISO 9001 and ISO 14001 certified production facilities

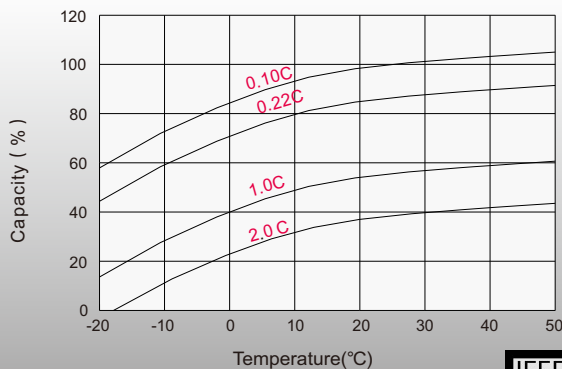
## Discharge Characteristics



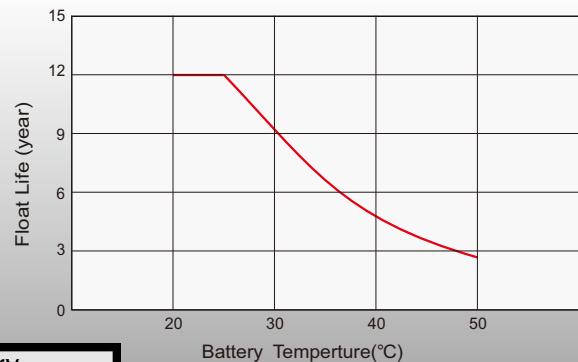
## Float Charging Characteristics



## Temperature Effects in Relation to Battery Capacity



## Temperature Effects on Long Term Float Life



## Sales Offices Worldwide



**China Sales Office**  
5th Floor, Xinbaohui Bldg., Nanhai Blvd.,  
Nanshan, Shenzhen, China. 518052  
Tel: +86-755-86036060 (100 lines)  
Fax: +86-755-26067269  
E-mail: export@leoch.com

**HongKong Sales Office**  
Workshop C, 33/F, TML Tower, No. 3 Hoi Shing Road,  
Tsuen Wan, New Territories, Hong Kong  
Tel: +852 35786666  
Fax: +44 1452 690125  
E-mail: sales.hk@leoch.com

**Singapore Sales Office**  
No. 1 Tech Park Crescent,  
Singapore 638131  
Tel: +65 68636078  
Fax: +65 6863 6079  
Email: sales.sg@Leoch.com

**Australia Sales Office**  
2/29 Tarlington Place, Smithfield. NSW 2164  
Australia  
Tel: 02 9756 0950  
E-mail: sales.au@leoch.com

**North America Sales Office**  
19751 Descartes  
Foothill Ranch, CA 92610, USA  
Tel: 949-588-5853  
Fax: 949-588-5966  
E-mail: sales@leoch.us  
Http://www.leoch.us

**UK Sales Office**  
9B Wheatstone Court, Waterwells, Business Park,  
Gloucester, GL2-2AQ, UK United Kingdom  
Tel: +44(0) 1452 729428 / 1452 729696  
Fax: +44 1452 690125  
E-mail: Sales.Europe@leoch.com  
Http://www.leoch.eu

**EMEA Sales Office**  
1 Deligiorgi St., 121 31 Athens,  
Greece  
Tel: +30 210 5760318 (2 lines)  
E-mail: support\_EMEA@leoch.com  
Http://www.leoch.eu

**India Sales Office**  
Shed no. A-53(b), 2nd Stage of Peenya Industrial Area,  
Bangalore North Taluk, Bangalore-560058, India  
Tel: +91-80-23440018/23440019  
Fax: +91-80-23440017  
E-mail: indiasales@leoch.com



[Http://www.leoch.com](http://www.leoch.com)

© 1999-2022 LEOCH. All rights reserved.  
Trademarks and logos are the property of LEOCH and its affiliates unless otherwise noted.  
Subject to revisions without prior notice.

Publication No.: LB-LHR12605W(A)-PD-EN-V1.0-202201