



GP Series

GP 12340 Datasheet

12V Top Terminal VRLA-AGM

Specifications

| | |
|-------------------------------------|---|
| Voltage (Vdc) | 12 |
| Nominal Capacity (1.75 VPC @25°C) | 34 Ah @20hr-rate |
| Ah Capacity (8-Hr 1.75 VPC @ 25°C) | 34.7 |
| Ah Capacity (20-Hr 1.75 VPC @ 25°C) | 37.6 |
| Ah Capacity (8-Hr 1.80 VPC @ 25°C) | 34.1 |
| Max Charge Current (A) | 10.2 |
| Max Discharge Current (A) | 380 |
| Short Circuit Current (A) | 915 |
| Internal Resistance (mΩ) | Approx. 9.5 |
| Terminal Type | B5 terminal to accept M6 bolt |
| Terminal Torque | 51.7±10.3 Kgf·cm / 44.9±9.0 Lbf·in / 5.10±1.0 N·m |
| Container Material | ABS (UL 94-HB) & Flame Retardant (94-V0) available upon request. |
| Weight (kg. / lb., Approx.) | 10.48 / 23.10 |
| Length (L) (mm / in) | 195.6±2.0 / 7.70±0.08 |
| Width (W) (mm / in) | 130.0±1.5 / 5.12±0.08 |
| Height (H) (mm / in) | 178.3±2.0 / 7.02±0.08 |
| Design Life | Up to 5 Years in Standby Service at 25°C Eurobat (20°C): 3-5 Years Standard Commercial |
| Operating Temperature | Nominal: 25°C (77°F) Discharge: -15°C - 50°C (5°F-122°F) Charge/Storage: -15°C - 40°C (5°F - 104°F) |
| Float Charging Voltage | 13.5 - 13.8 Vdc/battery 25°C (77°F) |
| Eq. Charging Voltage | 14.4 - 15.0 Vdc/battery 25°C (77°F) |
| Self-Discharge | Less than 10% after 90 days, can be stored up to 6 months at 25°C (77°F); Fully recharging is required before usage, and charged sooner if stored at higher temperature than 25°C (77°F). |



Valve Regulated Lead Acid (VRLA) Battery

Maintenance-Free, Absorbent Glass Mat (AGM) Technology for Efficient Gas Recombination of up to 99%

Pure Lead Construction and Proprietary Elements

Designed for Float Service Standby Power Applications

Built in Accordance with IEC 61056-1/2:2012 and UL1989 Recognized (MH14533)





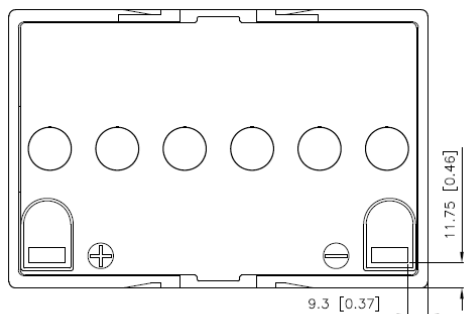
GP Series

GP 12340 Datasheet

12V Top Terminal VRLA-AGM

| Constant Current Discharge Characteristics Unit: A (25°C, 77°F) | | | | | | | | | | | | |
|---|------|-------|-------|-------|-------|-------|------|------|------|------|------|------|
| F.V/Time | 5MIN | 10MIN | 15MIN | 30MIN | 60MIN | 90MIN | 2HR | 3HR | 5HR | 8HR | 10HR | 20HR |
| 10.02V (1.67 VPC) | 134 | 95.5 | 72.8 | 42.6 | 24.7 | 17.9 | 14.2 | 10.2 | 6.62 | 4.37 | 3.58 | 1.90 |
| 10.50V (1.75 VPC) | 112 | 84.2 | 67.9 | 41.1 | 24.1 | 17.6 | 14.0 | 10.0 | 6.54 | 4.33 | 3.55 | 1.88 |
| 10.80V (1.80 VPC) | 99.9 | 75.6 | 62.4 | 39.3 | 23.4 | 17.1 | 13.7 | 9.91 | 6.43 | 4.26 | 3.49 | 1.86 |

| Constant Power Discharge Characteristics Unit: W (25°C, 77°F) | | | | | | | | | | | | |
|---|------|-------|-------|-------|-------|-------|-----|-----|------|------|------|------|
| F.V/Time | 5MIN | 10MIN | 15MIN | 30MIN | 60MIN | 90MIN | 2HR | 3HR | 5HR | 8HR | 10HR | 20HR |
| 10.02V (1.67 VPC) | 1339 | 1014 | 804 | 511 | 299 | 216 | 171 | 122 | 79.1 | 52.4 | 43.0 | 22.9 |
| 10.50V (1.75 VPC) | 1198 | 925 | 757 | 494 | 293 | 213 | 169 | 120 | 78.4 | 52.0 | 42.6 | 22.7 |
| 10.80V (1.80 VPC) | 1088 | 852 | 702 | 475 | 285 | 209 | 167 | 119 | 77.4 | 51.3 | 42.1 | 22.5 |



Detail A Drawing(3:1)

