



Patented manufacturing process produces battery cells for applications that require:

- Excellent energy density
- Excellent power-to-energy balance
- High cycle life
- Longer battery calendar life
- Low impedance and heat generation provide improved safety
- Lightweight

Advantages

Lower Cost/Consistent Quality/
Greater Reliability

- Proven chemistry with 10+ years in the field
- Nickel Manganese Cobalt (NMC) Li-Ion
- Prismatic (Flat Plate) Design
- Large Capacity Single Element Cell Design
- Scalable to mass produce cells
- Highly automated manufacturing
- Extended run time between charges

Applications

Ideal for High Current (Amp) Power applications where space and weight are restricted or limited.

- Transportation
 - Fully electric vehicles
 - Plug-in electric vehicles
- Military
- Aviation
- UPS (uninterrupted power supply)
- Motive Power
- Industrial Machinery
- Marine
- Grid Storage
- Telecom

Electrical Characteristics [at 25°C (77°F)]

Capacity (Nominal @ C/2)	31Ah	
Voltage (Nominal)	3.7V	
	Lower Limit Voltage	2.7V
	Upper Limit Voltage	4.2V
Charge Current (Max. Continuous)	93A (3C)	
Discharge Current (Max. Continuous)	248A (8C)	
Pulse Current (Max., 10 sec. Duration)	372A (12C)	
# Cycles @ 1C/1C (31A), to 80% of Capacity	100% DOD or 2.7-4.2V	80% DOD or 3.3-4.1V
	Greater than 2,700	Greater than 5,000
Internal Impedance (1kHz AC)	0.70 mΩ	
Weight	0.77 Kg (1.70 lb)	
Peak Power Density (10 Sec., 50% SOC)	Gravimetric	1811 W/Kg (823.2 W/lb)
	Volumetric*	3457 W/L (56.7 W/cu. inches)
Energy Density	Gravimetric	146 Wh/Kg (66.4 Wh/lb)
	Volumetric*	310 Wh/L (5.1 Wh/cu. inches)

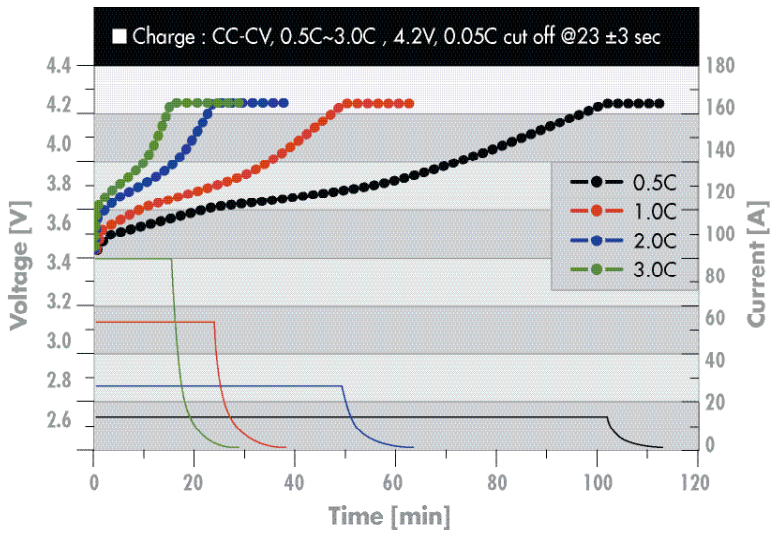
Operational Specifications

Charge Temperature Range	0°C ~ 45°C (32°F ~113°F)
Discharge Temperature Range	-20°C ~ 60°C (-4°F ~140°F)

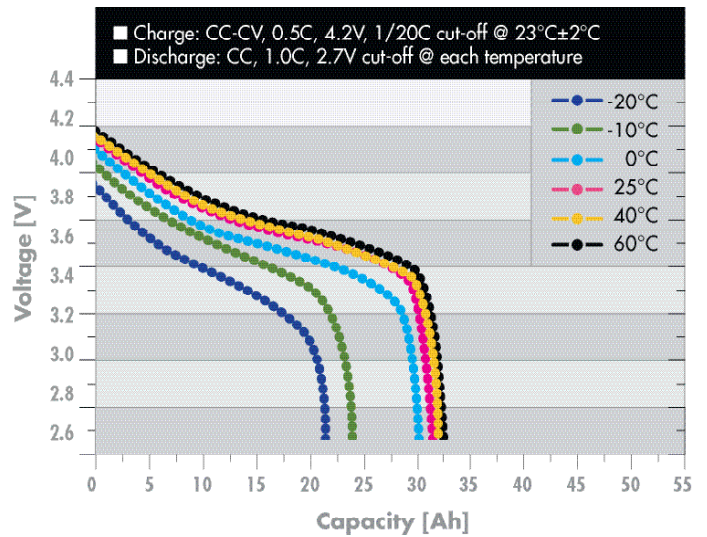
*Volume calculated using core cell dimensions, excluding tabs and seals

SUPERIOR LITHIUM POLY-

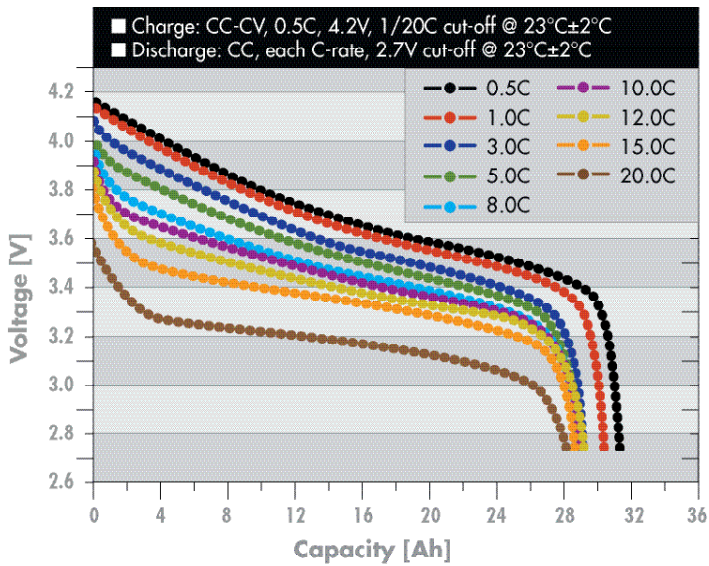
Charge Profiles at Room Temperature



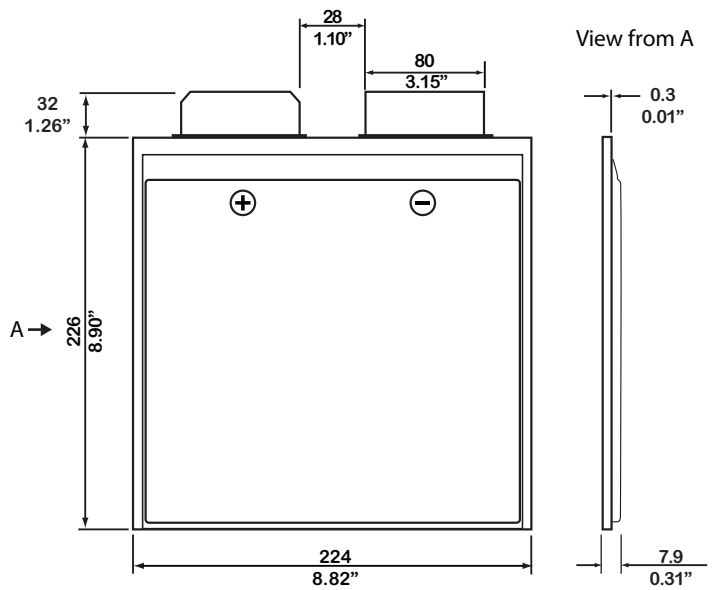
Temperature Characteristics



Discharge Profiles at Room Temperature



Mechanical Characteristics



Note: dimensions shown in mm and inches (")

For Battery Sales + EPA Battery Recycling and AC / DC Power Services, please contact:
Moore & Moore Solutions, Inc.
 Phone: 484-302-7009
 Email: mr@mooreu.com
www.MooreU.com

The information contained herein is provided solely for the purposes of general explanation and illustration, and is subject to modification without notice. No warranty or guarantee is given in regards to the information contained herein or the referenced products. Please contact XALT Energy for the most current and relevant product information for your particular application.